

SRJ110010THD006M, RJ45 Connector, 1000 Base-T, Magnetics

Features

Electrical Properties

Parameter:	Description
Turn Ratio ($\pm 3\%$):	1CT : 1CT
Inductance OCL:	350uH Min. @100KHz , 0.1V 8mA DC Bias
Insertion Loss:	-1.0dB Max. @1-100MHz
Return Loss:	-18dB Min. @1-30MHz -15dB Min. @30-60MHz -12dB Min. @60-100MHz
Cross Talk:	-40dB Min. @1-30MHz -35dB Min. @30-60MHz -30dB Min. @60-100MHz
Common Mode Rejection:	-30dB Min. @1-50MHz -20dB Min. @50-150MHz
Hipot Test:	1500Vrms



Typical applications

- Ethernet
- Network Switch
- Network Hub
- Modems

Mechanical Properties

Parameter:	Description
Operating Temperature:	-40°C~+85°C
Wave Peak Soldering:	+250°C Max. 5 sec Max.
Dimensions:	21.25 x 15.93 x 13.3 mm \pm 0.1
Housing:	Thermoplastic PBT+30%G.F. UL94V-0
Contact:	Phosphor Bronze, C5210R- EH Thickness = 0.35mm
Pins:	Brass C2680R-H Thickness = 0.35mm
Shield:	SUS 201-1/2H Thickness = 0.2mm
Contact Plating:	Gold 6 Micro-Inches Min.

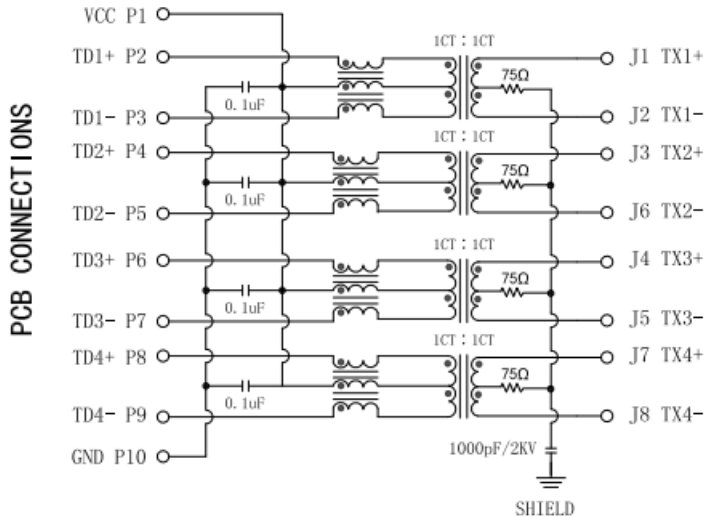
Description

The SRJ110010THD006M is a RJ45 connector with 1000 Base-T and integrated magnetics.

The connector is designed to support application such as SOHO (ADSL modems), LAN-on-Motherboards(LOM), Hub and Switches.

SRJ110010THD006M, RJ45 Connector, 1000 Base-T, Magnetics

Electrical



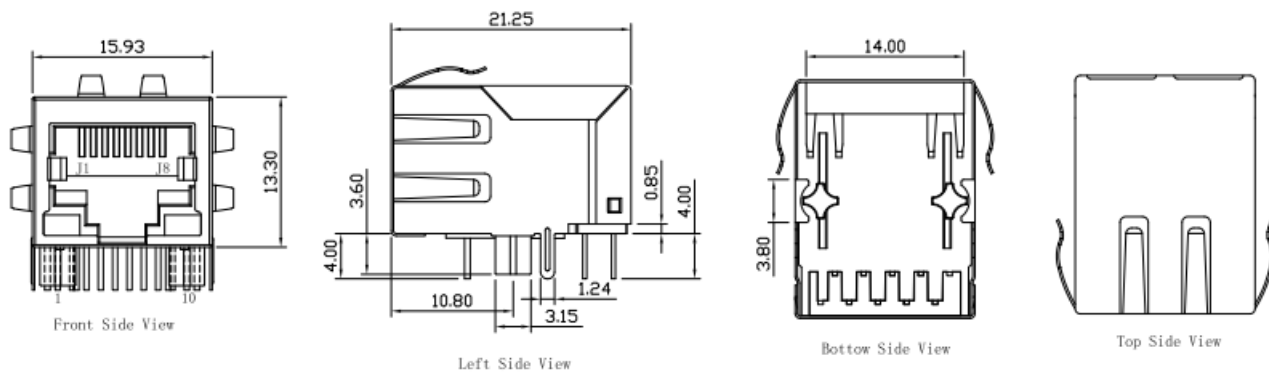
RJ45 CONNECTOR



Emitting Color	λ_p (nm)	$V_F @ I_F=20mA$	$I_R @ V_R=5V$
GREEN	565	1.8~2.6V	10 μ A max
YELLOW	585	1.8~2.6V	10 μ A max

Dimensions

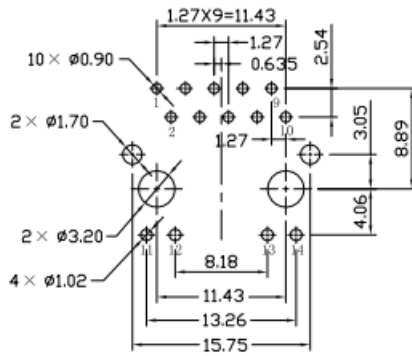
*unit: mm



SRJ110010THD006M, RJ45 Connector, 1000 Base-T, Magnetics

PCB Footprint

*unit: mm



Suggested PCB Layout (Top View)

Ordering information

Ordering can be done via www.summit-electronics.com or via info@summit-electronics.com. Please contact us for more information. Customisation of the product is available on request.

Technical support

For all product questions please contact us via info@summit-electronics.com